

From Eye to Insight



Leica Greenough Stereo Microscopes

TECHNICAL INFORMATION

S9 i, S9 D, S9 E, and S APO



PERFORMANCE CHARACTERISTICS



	S9 E	S9 D	S9 i	S APO
Optical system, lead-free	10° Greenough using best-corrected central part of the objective; complete apochromatically corrected microscope system			12° Greenough using best-corrected central part of the objective
Zoom	9:1, apochromatic			8:1, apochromatic
Viewing angle	35°			38°
ESD protection	Antistatic			
Specific surface resistivity	2×10 ¹¹ Ω/square, discharge time <2 seconds from 1,000 V to 100 V			
Magnification range (basic outfit)	6.1×–55×			10×–80×
Maximum resolution	500 lp/mm			600 lp/mm
Maximum numerical aperture	0.167			0.2
Working distance (basic outfit)	122 mm			75 mm
Object field diameter	37.7 mm			23 mm
Adjustable zoom limits	Click-stops 10×, 20×, 30×, 40×, and 50×			2
Video/photo outlet, switchable	–	50 % video 50 % visual, permanent	–	100 % visual or 100 % video/photo and 100 % visual in the left eyepiece
Integrated camera	–		10 MP resolution Live image up to 35 fps (1,024 × 768 pixels) Sensor size 6.44 mm × 4.6 mm, 1/2.3" CMOS Pixel size 1.67 μm × 1.67 μm	–
Standard objectives, lead-free	Apochromats 0.5×, 0.63×, 0.75×, 1.6×, 2.0×			Apochromats 0.63×, 1.6×, 2.0×
Ergonomic eyepieces, fixed and adjustable, with cups	10×/23, 16×/16, 20×/12			–
Ergonomic eyepieces for eyeglass wearers, adjustable, with eyecups	10×/23, 16×/15, 25×/9.5, 40×/6			
Interpupillary distance	50–76 mm			

ACCESSORIES

Stands, illuminators	
Incident light stands	Antistatic and terminator (dissipating)
Focusing drives	Coarse, fine, inclinable for OEM applications (bonders), adjustable ease of movement
Focusing range	135 mm
Microscope carrier	Optics carrier rotatable through 360°
Swingarm stands	<ul style="list-style-type: none"> • ESD swingarm stand • Standard swingarm stand with easy-to-move horizontal arm (ball bearing) • Large swingarm stand with easy-glide horizontal arm and crank for comfortable height positioning
Flexarm	For installing the mount on the work table
Incident light stand LED2000	Stand with integrated incident light LED illumination (ring-shaped and curved)
Transmitted light stands	Leica TL3000 Ergo: Bright field and dark field on one side – TL4000 BFD: Bright and circular dark field – TL4000 RC / RCI: Bright field, single-sided dark field, Rottermann Contrast – TL5000 Ergo: Bright field two-sided dark field, Rottermann Contrast
Transmitted light stand LED2500	Stand with integrated incident light LED illumination (ring-shaped and curved) and uniform transmitted light illumination
Stages	Gliding stage, cup stage, polarizer
Illuminators	<ul style="list-style-type: none"> • Leica LED3000 RL ring illuminator • Leica LED3000 NVI nearly vertical illumination • Leica LED3000 SLI spotlight illuminator • Leica LED3000 MCI Multi Contrast Illumination • Leica LED3000 BLI backlight illumination • Leica LED3000 DI diffuse illumination • Leica KL300 LED cold-light source for coupling to the stand • Various fiber-optic light guides • Accessories for coaxial, vertical and transmitted light • Leica LED1000 (ring, spot and transmitted light insert)

Accessories	
Measurement reticules	For length measurement and counting
Vertical/oblique observation (S9 models)	All-round 45° side view of the specimen
Objective protective-glass	Protects against dirt and damage
Cameras (for S APO and S9 D)	Leica offers a variety of cameras, such as the MC, DFC, and DMC camera lines
Software	LAS X 3.0 and higher (Windows 7, Windows 10) LAS 4.9 and higher (Windows 7, Windows 8 / 8.1) LAS Acquire 3.3 and higher (MAC OS X) LAS EZ 3.3 and higher (Windows 7, Windows 8 / 8.1, Windows 10)
Video (S9 D/S APO)	Various video objectives and adapters for commercial CCD cameras

OPTICAL DATA S9 i, S9 D, AND S9 E

				with additional objectives									
				0.5×		0.63×		0.75×		1.6×		2.0×	
Working distance		122 mm		200 mm		155 mm		130 mm		55 mm		35 mm	
Eyepieces	Zoom positions	Total Mag.	Object field (mm)	Total Mag.	Object field (mm)	Total Mag.	Object field (mm)	Total Mag.	Object field (mm)	Total Mag.	Object field (mm)	Total Mag.	Object field (mm)
10×/23 10 447 130 10 447 131 10 447 136 10 447 137	0.61	6.1	37.7	3.0	75.4	3.9	59.8	4.6	50.3	9.8	23.6	12.2	18.9
	0.8	8.0	28.8	4.0	57.5	5.0	45.6	6.0	38.3	12.8	18.0	16.0	14.4
	1.0	10.0	23.0	5.0	46.0	6.3	36.5	7.5	30.7	16.0	14.4	20.0	11.5
	1.25	12.5	18.4	6.3	36.8	7.9	29.2	9.4	24.5	20.0	11.5	25.0	9.2
	1.6	16.0	14.4	8.0	28.8	10.1	22.8	12.0	19.2	25.6	9.0	32.0	7.2
	2.0	20.0	11.5	10.0	23.0	12.6	18.3	15.0	15.3	32.0	7.2	40.0	5.8
	2.5	25.0	9.2	12.5	18.4	15.8	14.6	18.8	12.3	40.0	5.8	50.0	4.6
	3.0	30.0	7.7	15.0	15.3	18.9	12.2	22.5	10.2	48.0	4.8	60.0	3.8
	4.0	40.0	5.8	20.0	11.5	25.2	9.1	30.0	7.7	64.0	3.6	80.0	2.9
5.0	50.0	4.6	25.0	9.2	31.5	7.3	37.5	6.1	80.0	2.9	100.0	2.3	
5.5	55.0	4.2	27.5	8.4	34.7	6.7	41.3	5.6	88.0	2.6	110.0	2.1	
16×/16 10 447 132 10 447 133	0.61	9.8	26.2	4.9	52.5	6.2	41.6	7.3	35.0	15.6	16.4	19.5	13.1
	0.8	12.8	20.0	6.4	40.0	8.0	31.7	9.6	26.7	20.5	12.5	25.6	10.0
	1.0	16.0	16.0	8.0	32.0	10.1	25.4	12.0	21.3	25.6	10.0	32.0	8.0
	1.25	20.0	12.8	10.0	25.6	12.6	20.3	15.0	17.1	32.0	8.0	40.0	6.4
	1.6	25.6	10.0	12.8	20.0	16.1	15.9	19.2	13.3	41.0	6.3	51.2	5.0
	2.0	32.0	8.0	16.0	16.0	20.2	12.7	24.0	10.7	51.2	5.0	64.0	4.0
	2.5	40.0	6.4	20.0	12.8	25.2	10.2	30.0	8.5	64.0	4.0	80.0	3.2
	3.0	48.0	5.3	24.0	10.7	30.2	8.5	36.0	7.1	76.8	3.3	96.0	2.7
	4.0	64.0	4.0	32.0	8.0	40.3	6.4	48.0	5.3	102.0	2.5	128.0	2.0
5.0	80.0	3.2	40.0	6.4	50.4	5.0	60.0	4.3	128.0	2.0	160.0	1.6	
5.5	88.0	3.0	44.0	5.8	55.4	4.6	66.0	3.9	141.0	1.8	176.0	1.5	
16×/15 B 10 447 138 10 447 139	0.61	9.8	24.6	4.9	49.2	6.2	39.0	7.3	32.8	15.6	15.4	12.2	12.3
	0.8	12.8	18.8	6.4	37.5	8.0	29.8	9.6	25.0	20.5	11.7	16.0	9.4
	1.0	16.0	15.0	8.0	30.0	10.1	23.8	12.0	20.0	25.6	9.4	20.0	7.5
	1.25	20.0	12.0	10.0	24.0	12.6	19.0	15.0	16.0	32.0	7.5	25.0	6.0
	1.6	25.6	9.4	12.8	18.8	16.1	14.9	19.2	12.5	41.0	5.9	32.0	4.7
	2.0	32.0	7.5	16.0	15.0	20.2	11.9	24.0	10.0	51.2	4.7	40.0	3.8
	2.5	40.0	6.0	20.0	12.0	25.2	9.5	30.0	8.0	64.0	3.8	50.0	3.0
	3.0	48.0	5.0	24.0	10.0	30.2	7.9	36.0	6.7	76.8	3.1	60.0	2.5
	4.0	64.0	3.8	32.0	7.5	40.3	6.0	48.0	5.0	102.0	2.3	80.0	1.9
5.0	80.0	3.0	40.0	6.0	50.4	4.8	60.0	4.0	128.0	1.9	100.0	1.5	
5.5	88.0	2.7	44.0	5.5	55.4	4.3	66.0	3.6	141.0	1.7	110.0	1.4	
20×/12 10 447 134 10 447 135	0.61	12.2	19.7	6.1	39.3	7.7	31.2	9.2	26.2	19.5	12.3	24.4	9.8
	0.8	16.0	15.0	8.0	30.0	10.1	23.8	12.0	20.0	25.6	9.4	32.0	7.5
	1.0	20.0	12.0	10.0	24.0	12.6	19.0	15.0	16.0	32.0	7.5	40.0	6.0
	1.25	25.0	9.6	12.5	19.2	15.8	15.2	18.8	12.8	40.0	6.0	50.0	4.8
	1.6	32.0	7.5	16.0	15.0	20.2	11.9	24.0	10.0	51.2	4.7	64.0	3.8
	2.0	40.0	6.0	20.0	12.0	25.2	9.5	30.0	8.0	64.0	3.8	80.0	3.0
	2.5	50.0	4.8	25.0	9.6	31.5	7.6	37.5	6.4	80.0	3.0	100.0	2.4
	3.0	60.0	4.0	30.0	8.0	37.8	6.4	45.0	5.3	96.0	2.5	120.0	2.0
	4.0	80.0	3.0	40.0	6.0	50.4	4.8	60.0	4.0	128.0	1.9	160.0	1.5
5.0	100.0	2.4	50.0	4.8	63.0	3.8	75.0	3.2	160.0	1.5	200.0	1.2	
5.5	110.0	2.2	55.0	4.4	69.3	3.5	82.5	2.9	176.0	1.4	220.0	1.1	
25×/9.5 B 10 450 025	0.61	15.3	15.6	7.6	31.1	9.6	24.7	11.4	20.8	24.4	9.7	30.5	7.8
	0.8	20.0	11.9	10.0	23.8	12.6	18.8	15.0	15.8	32.0	7.4	40.0	5.9
	1.0	25.0	9.5	12.5	19.0	15.8	15.1	18.8	12.7	40.0	5.9	50.0	4.8
	1.25	31.3	7.6	15.6	15.2	19.7	12.1	23.4	10.1	50.0	4.8	62.5	3.8
	1.6	40.0	6.0	20.0	11.9	25.2	9.4	30.0	7.9	64.0	3.7	80.0	3.0
	2.0	50.0	4.8	25.0	9.5	31.5	7.5	37.5	6.3	80.0	3.0	100.0	2.4
	2.5	62.5	3.8	31.3	7.6	39.4	6.0	46.9	5.1	100.0	2.4	125.0	1.9
	3.0	75.0	3.2	37.5	6.3	47.3	5.0	56.3	4.2	120.0	2.0	150.0	1.6
	4.0	100.0	2.4	50.0	4.8	63.0	3.8	75.0	3.2	160.0	1.5	200.0	1.2
5.0	125.0	1.9	62.5	3.8	78.8	3.0	93.8	2.5	200.0	1.2	250.0	1.0	
5.5	138.0	1.7	68.8	3.5	86.6	2.7	103.0	2.3	220.0	1.1	275.0	0.9	
40×/6 B 10 450 026	0.61	24.4	9.9	12.2	19.7	15.4	15.6	18.3	13.1	39.0	6.2	48.8	4.9
	0.8	32.0	7.5	16.0	15.0	20.2	11.9	24.0	10.0	51.2	4.7	64.0	3.8
	1.0	40.0	6.0	20.0	12.0	25.2	9.5	30.0	8.0	64.0	3.8	80.0	3.0
	1.25	50.0	4.8	25.0	9.6	31.5	7.6	37.5	6.4	80.0	3.0	100.0	2.4
	1.6	64.0	3.8	32.0	7.5	40.3	6.0	48.0	5.0	102.0	2.3	128.0	1.9
	2.0	80.0	3.0	40.0	6.0	50.4	4.8	60.0	4.0	128.0	1.9	160.0	1.5
	2.5	100.0	2.4	50.0	4.8	63.0	3.8	75.0	3.2	160.0	1.5	200.0	1.2
	3.0	120.0	2.0	60.0	4.0	75.6	3.2	90.0	2.7	192.0	1.3	240.0	1.0
	4.0	160.0	1.5	80.0	3.0	101.0	2.4	120.0	2.0	256.0	0.9	320.0	0.8
5.0	200.0	1.2	100.0	2.4	126.0	1.9	150.0	1.6	320.0	0.8	400.0	0.6	
5.5	220.0	1.1	110.0	2.2	139.0	1.7	165.0	1.5	352.0	0.7	440.0	0.6	

OPTICAL DATA S APO

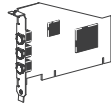
				Apochromat						Achromat	
				0.63×		1.6×		2.0×		0.32×	
Working distance		75 mm		101 mm		37 mm		25 mm		200 mm	
Eyepieces	Zoom positions	Total Mag.	Object field (mm)	Total Mag.	Object field (mm)	Total Mag.	Object field (mm)	Total Mag.	Object field (mm)	Total Mag.	Object field (mm)
10×/23 10 447 130 10 447 131 10 447 136 10 447 137	1.0	10.0	23.0	6.3	36.5	16.0	14.4	20.0	11.5	3.2	71.9
	1.25	12.5	18.4	7.9	29.1	20.0	11.5	25.0	9.2	4.0	57.5
	1.6	16.0	14.4	10.1	22.8	25.6	9.0	32.0	7.2	5.1	45.1
	2.0	20.0	11.5	12.6	18.3	32.0	7.2	40.0	5.8	6.4	35.9
	2.5	25.0	9.2	15.8	14.6	40.0	5.8	50.0	4.6	8.0	28.8
	3.2	32.0	7.2	20.2	11.4	51.2	4.5	64.0	3.6	10.2	22.5
	4.0	40.0	5.8	25.2	9.1	64.0	3.6	80.0	2.9	12.8	18.0
	5.0	50.0	4.6	31.5	7.3	80.0	2.9	100.0	2.3	16.0	14.4
6.3	63.0	3.7	39.7	5.8	100.8	2.3	126.0	1.8	20.2	11.4	
8.0	80.0	2.9	50.4	4.6	128.0	1.8	160.0	1.4	25.6	9.0	
16×/16 10 447 132 10 447 133	1.0	16.0	16.0	10.1	25.3	25.6	10.0	32.0	8.0	5.1	43.9
	1.25	20.0	12.8	12.6	20.3	32.0	8.0	40.0	6.4	6.4	35.0
	1.6	25.6	10.0	16.1	15.9	41.0	6.2	51.2	5.0	8.2	27.3
	2.0	32.0	8.0	20.2	12.7	51.2	5.0	64.0	4.0	10.2	22.0
	2.5	40.0	6.4	25.2	10.2	64.0	4.0	80.0	3.2	12.8	17.5
	3.2	51.2	5.0	32.3	7.9	81.9	3.1	102.4	2.5	16.4	13.7
	4.0	64.0	4.0	40.3	6.4	102.4	2.5	128.0	2.0	20.5	10.9
	5.0	80.0	3.2	50.4	5.1	128.0	2.0	160.0	1.6	25.6	8.8
6.3	100.8	2.5	63.5	4.0	161.3	1.6	201.6	1.3	32.3	6.9	
8.0	128.0	2.0	80.6	3.2	204.8	1.3	256.0	1.0	41.0	5.5	
16×/15 B 10 447 138 10 447 139	1.0	16.0	15.0	10.1	23.7	25.6	9.4	32.0	7.5	5.1	41.2
	1.25	20.0	12.0	12.6	19.0	32.0	7.5	40.0	6.0	6.4	32.8
	1.6	25.6	9.4	16.1	14.9	41.0	5.8	51.2	4.7	8.2	25.6
	2.0	32.0	7.5	20.2	11.9	51.2	4.7	64.0	3.8	10.2	20.6
	2.5	40.0	6.0	25.2	9.6	64.0	3.8	80.0	3.0	12.8	16.4
	3.2	51.2	4.7	32.3	7.4	81.9	2.9	102.4	2.3	16.4	12.8
	4.0	64.0	3.8	40.3	6.0	102.4	2.3	128.0	1.9	20.5	10.2
	5.0	80.0	3.0	50.4	4.8	128.0	1.9	160.0	1.5	25.6	8.3
6.3	100.8	2.3	63.5	3.8	161.3	1.5	201.6	1.2	32.3	6.5	
8.0	128.0	1.9	80.6	3.0	204.8	1.2	256.0	0.9	41.0	5.2	
20×/12 10 447 134 10 447 135	1.0	20.0	12.0	12.6	19.0	32.0	7.5	40.0	6.0	6.4	37.5
	1.25	25.0	9.6	15.8	15.2	40.0	6.0	50.0	4.8	8.0	30.0
	1.6	32.0	7.5	20.2	11.9	51.2	4.7	64.0	3.8	10.2	23.5
	2.0	40.0	6.0	25.2	9.5	64.0	3.8	80.0	3.0	12.8	18.8
	2.5	50.0	4.8	31.5	7.6	80.0	3.0	100.0	2.4	16.0	15.0
	3.2	64.0	3.8	40.3	6.0	102.4	2.3	128.0	1.9	20.5	11.7
	4.0	80.0	3.0	50.4	4.8	128.0	1.9	160.0	1.5	25.6	9.4
	5.0	100.0	2.4	63.0	3.8	160.0	1.5	200.0	1.2	32.0	7.5
6.3	126.0	1.9	79.4	3.0	201.6	1.2	252.0	1.0	40.3	6.0	
8.0	160.0	1.5	100.8	2.4	256.0	0.9	320.0	0.8	51.2	4.7	
25×/9.5 B 10 450 025	1.0	25.0	9.5	15.8	15.0	40.0	5.9	50.0	4.8	8.0	29.7
	1.25	31.3	7.6	19.7	12.1	50.0	4.8	62.5	3.8	10.0	23.8
	1.6	40.0	5.9	25.2	9.4	64.0	3.7	80.0	3.0	12.8	18.6
	2.0	50.0	4.8	31.5	7.5	80.0	3.0	100.0	2.4	16.0	14.8
	2.5	62.5	3.8	39.4	6.0	100.0	2.4	125.0	1.9	20.0	11.9
	3.2	80.0	3.0	50.4	4.7	128.0	1.9	160.0	1.5	25.6	9.3
	4.0	100.0	2.4	63.0	3.8	160.0	1.5	200.0	1.2	32.0	7.4
	5.0	125.0	1.9	78.8	3.0	200.0	1.2	250.0	1.0	40.0	5.9
6.3	157.5	1.5	99.2	2.4	252.0	0.9	315.0	0.8	50.4	4.7	
8.0	200.0	1.2	126.0	1.9	320.0	0.7	400.0	0.6	64.0	3.7	
40×/6 B 10 450 026	1.0	40.0	6.0	25.2	9.5	64.0	3.8	80.0	3.0	12.8	18.8
	1.25	50.0	4.8	31.5	7.6	80.0	3.0	100.0	2.4	16.0	15.0
	1.6	64.0	3.8	40.3	6.0	102.4	2.3	128.0	1.9	20.5	11.7
	2.0	80.0	3.0	50.4	4.8	128.0	1.9	160.0	1.5	25.6	9.4
	2.5	100.0	2.4	63.0	3.8	160.0	1.5	200.0	1.2	32.0	7.5
	3.2	128.0	1.9	80.6	3.0	204.8	1.2	256.0	0.9	41.0	5.9
	4.0	160.0	1.5	100.8	2.4	256.0	0.9	320.0	0.8	51.2	4.7
	5.0	200.0	1.2	126.0	1.9	320.0	0.8	400.0	0.6	64.0	3.8
6.3	252.0	1.0	158.8	1.5	403.2	0.6	504.0	0.5	80.6	3.0	
8.0	320.0	0.8	201.6	1.2	512.0	0.5	640.0	0.4	102.4	2.3	

ASSEMBLY DIAGRAM FOR S SERIES



Cables

11 600 269, FW-b-b
11 600 254, FW-a-b
12 730 211, HDMI-cable
12 730 530, USB3-cable



PC Cards

12 730 446, FW-b, notebook kit
12 730 447, FW-b, PCI express
12 730 495, USB3, PCI express



Leica Software PC



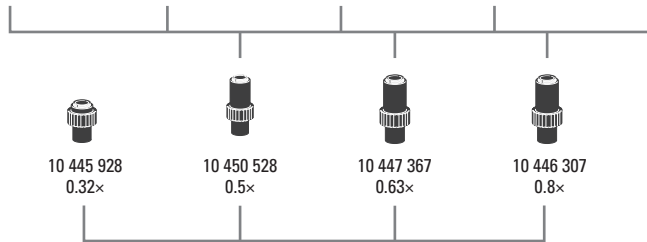
MC170 HD
12 730 465
MC190 HD
12 730 520

DMC4500
12 730 411
DMC2900
12 730 466
DFC295
12 730 469

DFC3000 G
11 547 005
DFC450 C
12 730 412
DFC495
12 730 471

DFC7000 T
11 547 106
DFC365 FX
11 547 004

DFC550
12 730 455



10 445 928
0.32x

10 450 528
0.5x

10 447 367
0.63x

10 446 307
0.8x

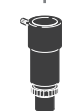
HC
11 541 510 1.0x
11 541 543 0.7x
11 541 544 0.55x
10 450 622 0.4x



Delta
11 541 006 1.0x
11 541 007 0.63x
11 541 016 0.5x



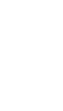
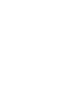
10 446 175
2.5x



10 445 930
1.0x



10 447 436
1.6x



D-SLR



10 447 319

Name	MPixel	Sensor	Size	Pixel-Size	Cooling	Interface	C-Mount*
MC170 HD	5	CMOS-c	1/2.3"	2.35 µm	No	USB2+HD	0.4x-0.5x
MC190 HD	10	CMOS-c	1/2.3"	1.67 µm	No	USB2+HD	0.4x-0.5x
DMC2900	3	CMOS-c	1/2"	3.2 µm	No	USB3	0.5x
DFC295	3	CMOS-c	1/2"	3.2 µm	No	FWb	0.5x
DFC7000T	2.8	CCD-c	2/3"	4.54 µm	Yes	USB3	0.63x
DMC4500	5	CCD-c	2/3"	3.4 µm	No	USB3	0.63x
DFC450 C	5	CCD-c	2/3"	3.4 µm	Yes	FWb + Sync	0.5x
DFC495	8	CCD-c	2/3"	2.7 µm	Yes	FWb + Sync	0.63x
DFC550	12.5	CCD-c	2/3"	6.45 µm	Yes	FWb + Sync	0.63x
DFC3000 G	1.3	CCD-m	1/3"	3.75 µm	No	USB3 + Sync	0.35x-0.4x
DFC365 FX	1.4	CCD-m	2/3"	6.45 µm	Yes	FWb + Sync	0.7x

-c: color / -m: monochrome / * recommended

Stereo 2016/V.1

Connection to main diagram next page

ARTICLE DESCRIPTIONS

Digital camera systems

- 12 730 465 Leica MC170 HD camera kit
- 12 730 520 Leica MC190 HD camera kit
- 12 730 517 Leica DMC4500 camera kit
- 12 730 466 Leica DMC2900 camera kit
- 12 730 469 Leica DFC295 camera kit
- 12 730 412 Leica DFC450 C camera kit
- 12 730 471 Leica DFC495 camera kit
- 12 730 455 Leica DFC550 camera kit

- 11 547 005 Leica DFC3000 G camera kit
- 11 547 004 Leica DFC365 FX camera kit
- 11 547 106 Leica DFC7000T camera kit

Digitale camera system accessories

- 11 600 269 FireWire cable, FW-b-b, 2.5 m, 9-pin to 9-pin
- 11 600 254 FireWire cable, FW-a-b, 2.5 m, 6-pin to 9-pin
- 12 730 211 HDMI-cable, 3 m, HDMI 2x Standard-A
- 12 730 530 USB3-cable, 2.5 m Standard-A to Micro-B
- 12 730 446 FW-b, Notebook Kit (includes PCcard Express, power supply: 100-240 V, 24 W, adapter FW-b-a)
- 12 730 447 FW-b, PCI express card
- 12 730 495 USB3, PCI express card





Phototubes and C-mounts

- 10 447 319 Adapter T2, Canon EOS
- 10 445 928 0.32x video objektive with C-mount for 1/3" digital cameras
- 10 450 528 0.5x video objektive with C-mount for 1/2" digital cameras
- 10 447 367 0.63x video objektive with C-mount for 2/3" digital cameras
- 10 446 307 0.8x video objektive with C-mount for 2/3" digital cameras
- 10 446 175 2.5x DSLR tube with T2 thread (24x36 mm sensor)
- 10 450 317 1.0x C-mount adapter for HC
- 10 445 930 1.0x video-/photo objektive
- 10 447 436 1.6x DSLR tube with T2 thread (APS-C sensor)

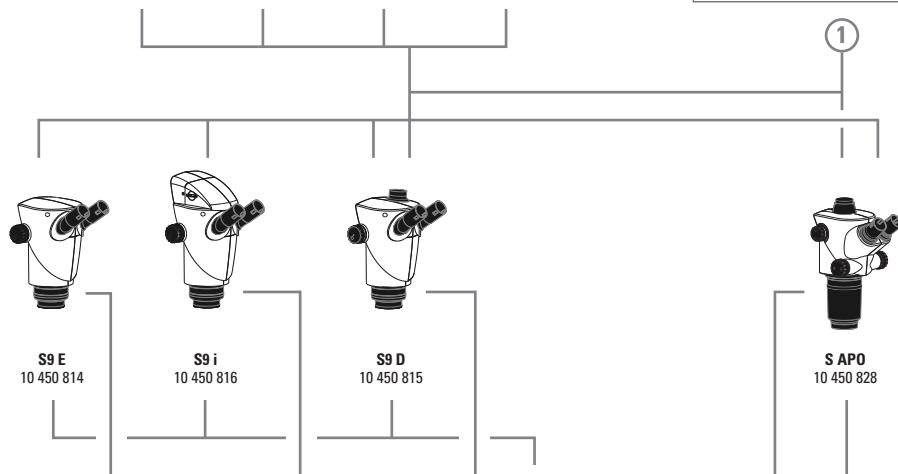
Eyepieces, eyecups included

- 10 447 136 10x/23B eyepiece for eyeglasses, fixed
- 10 447 137 10x/23B eyepiece for eyeglasses, adjustable*
- 10 447 138 16x/15B eyepiece for eyeglasses, fixed
- 10 447 139 16x/15B eyepiece for eyeglasses, adjustable*
- 10 447 130 10x/23 eyepiece, fixed
- 10 447 131 10x/23 eyepiece, adjustable*
- 10 447 132 16x/16 eyepiece, fixed
- 10 447 133 16x/16 eyepiece, adjustable*
- 10 447 134 20x/12 eyepiece, fixed
- 10 447 135 20x/12 eyepiece, adjustable*

* accept reticles

- | | | | |
|--|--|--|--|
|  |  |  |  |
| 10x | 10x | 10x | 10x |
| 10 447 136 | 10 447 137 | 10 447 130 | 10 447 131 |
| 16x | 16x | 16x | 16x |
| 10 447 138 | 10 447 139 | 10 447 132 | 10 447 133 |
| | | 20x | 20x |
| | | 10 447 134 | 10 4 47 135 |

Connection to camera diagram
previous page



S9 E
10 450 814

S9 i
10 450 816

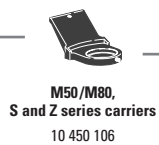
S9 D
10 450 815

S APO
10 450 828

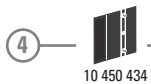


10 447 040

High end M series








10 447 259




3





4

6

- | | | |
|---|--------------|------------|
|  | 0.5x | 10 450 817 |
|  | 0.63x | 10 450 818 |
|  | 0.75x | 10 450 819 |
|  | 1.6x | 10 450 820 |
|  | 2.0x | 10 450 821 |

- | | |
|---|------------|
|  | 10 450 831 |
|  | 10 315 306 |



- | | | |
|---|------------------|------------|
|  | 0.32x | 10 446 334 |
|  | APO 0.63x | 10 446 335 |
|  | APO 1.6x | 10 446 336 |
|  | APO 2.0x | 10 446 337 |



Stereo Microscopes

- 10 450 814 Leica S9 E 0.61x – 5.5x
- 10 450 816 Leica S9 i 0.61x – 5.5x with integrated camera
- 10 450 815 Leica S9 D 0.61x – 5.5x with trinoc tube
- 10 450 828 Leica S APO 1.0x – 8.0x

Spare parts

- 10 447 149 Eyecups, pair for eyepieces
- 10 447 150 Eyecups, one pair for eyepiece for eyeglasses
- 10 447 326 Zoom knobs, pair, S APO size

S9 E, S9 D, S9 i, S APO objectives, and optical accessories

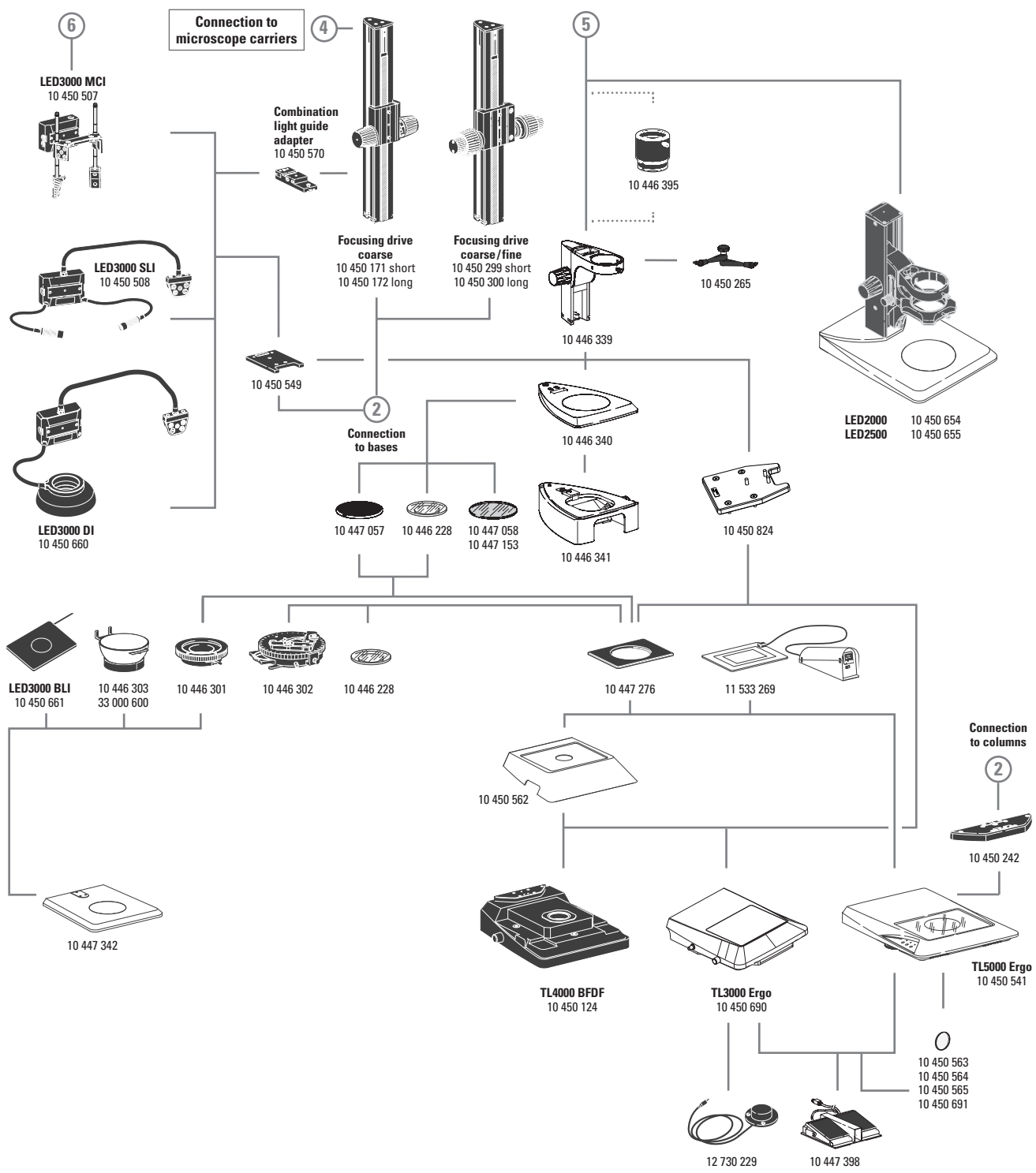
- 10 450 817 Objective 0.5x S9 series, WD 200 mm
- 10 450 818 Objective 0.63x S9 series, WD 150 mm
- 10 450 819 Objective 0.75x S9 series, WD 130 mm
- 10 450 820 Objective 1.6x S9 series, WD 50 mm
- 10 450 821 Objective 2.0x S9 series, WD 35 mm
- 10 450 831 Lens shield for S9 E, S9 D, and S APO
- 10 315 306 Analyzer in rotating mount, Ø 58 mm

S APO objectives

- 10 446 334 Objective 0.32x, WD 200 mm
- 10 446 335 Apochromatic objective 0.63x, WD 100 mm
- 10 446 336 Apochromatic objective 1.6x, WD 37 mm
- 10 446 337 Apochromatic objective 2.0x, WD 25 mm

Illuminators

- 10 450 271 LED3000 RL – ring illuminator, Ø 58 mm objectives, 24 power LEDs, 5,600 K color temperature, optimized LED auxiliary lens, selectable segments, optimized for 60–150 mm working distance
- 10 450 337 Polarization set for Leica LED3000 RL
- 10 450 338 Diffuser for Leica LED3000 RL
- 10 450 656 LED3000 NVI – vertical illumination for M50/M80 for using objectives with major diameter 58 mm
- 10 450 501 RLA 58/66 ring light adapter for LED3000 RL and LED3000 NVI to objectives with Ø 66 mm
- 10 450 508 LED3000 SLI, spotlight illumination, double-armed gooseneck 300 mm long, 2 power LEDs, 5,600 K color temperature, control unit on separate gooseneck, incl. diffuser pair
- 10 450 507 LED3000 MCI, multi-contrast illumination with 4 power LEDs, 5,700 K color temperature, selectable scenes
- 10 450 660 LED3000 DI, diffuse illumination
- 10 450 661 LED3000 BLI, backlight illumination
- 10 450 549 Adapter for LED3000 MCI & LED3000 SLI; For installation between the focusing column and baseplate
- 10 450 570 Combination light guide-adapter to focusing columns of the routine M series, for LED3000 SLI and LED3000 MCI
- 10 450 266 Power supply unit for LED3000/LED5000



ARTICLE DESCRIPTIONS

Focusing columns/arms/carriers and accessories

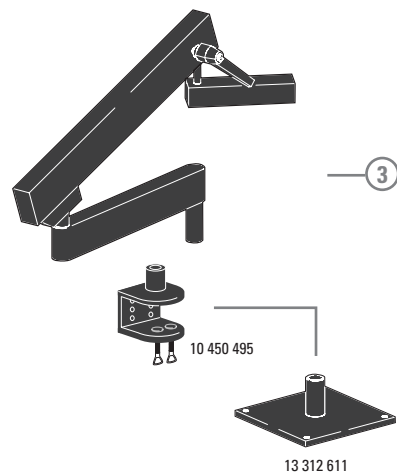
- 10 446 343 Focusing arm
- 10 450 106 Microscope carrier for M50/M80, S and Z series
- 10 447 255 Focusing arm, inclinable for OEM and swingarm stands
- 10 446 344 Focusing arm for 25 mm column
- 10 447 259 Carrier rod 25 mm, inclinable
- 10 450 299 Coarse/fine focusing drive with profile column 300 mm
- 10 450 300 Coarse/fine focusing drive with profile column 500 mm
- 10 450 265 Articulated arm; M5/M6
- 10 450 570 Combination light guide adapter for installation on the focusing column
- 10 446 339 Focusing column
- 10 450 434 Spacer for routine columns on high-performance bases
- 10 446 395 5 cm extension for 0.5x objective for S9

Bases and accessories

- 10 446 340 Base for S series
- 10 446 341 Sub-base for transmitted light
- 10 447 342 Incident light base with insert
- 10 450 654 LED2000 – Incident light base with LED illumination
- 10 450 655 LED2500 – Incident light and transmitted light base with LED illumination
- 10 450 690 TL3000 Ergo transmitted light base
- 10 450 124 TL4000 BFDf transmitted light base
- 10 450 541 TL5000 Ergo transmitted light base with integrated LED illumination
- 10 447 269 Standard stage for transmitted light bases TL3000 BFDf, TL4000 RC and TL4000 RCI
- 10 450 563 Milk glass filter for TL5000 Ergo
- 10 450 564 Green filter for TL5000 Ergo
- 10 450 565 Polarization filter for TL5000 Ergo
- 10 450 691 Halogen Conversion Filter
- 10 450 242 Standard adapter plate between column and transmitted light base
- 10 447 443 Leica USB mouse, freely programmable, five-button mouse for connection to TL4000 RCI or PC
- 10 447 398 Foot pedal
- 10 450 824 S series column adapter for TL bases
- 12 730 229 Hand or foot switch with 2 m cable

Stages

- 10 446 301 Gliding stage, 120 mm
- 10 446 303 Cup stage, 120 mm interface, Ø100 mm
- 33 000 600 Cup stage, Ø 120 mm, surface Ø 150 mm, revolving
- 10 447 058 Glass stage plate
- 10 447 153 Glass stage plate, matte
- 10 447 057 Stage plate b/w
- 11 533 269 Leica MATS TPX TL heating stage insert with control unit for TL bases
- 10 447 276 Adapter for stages with Ø 120 mm



13 312 611

Polarization

- 10 446 228 Glass stage plate with polarizer
- 10 315 306 Analyzer in rotating mount, \varnothing 58 mm

Measuring

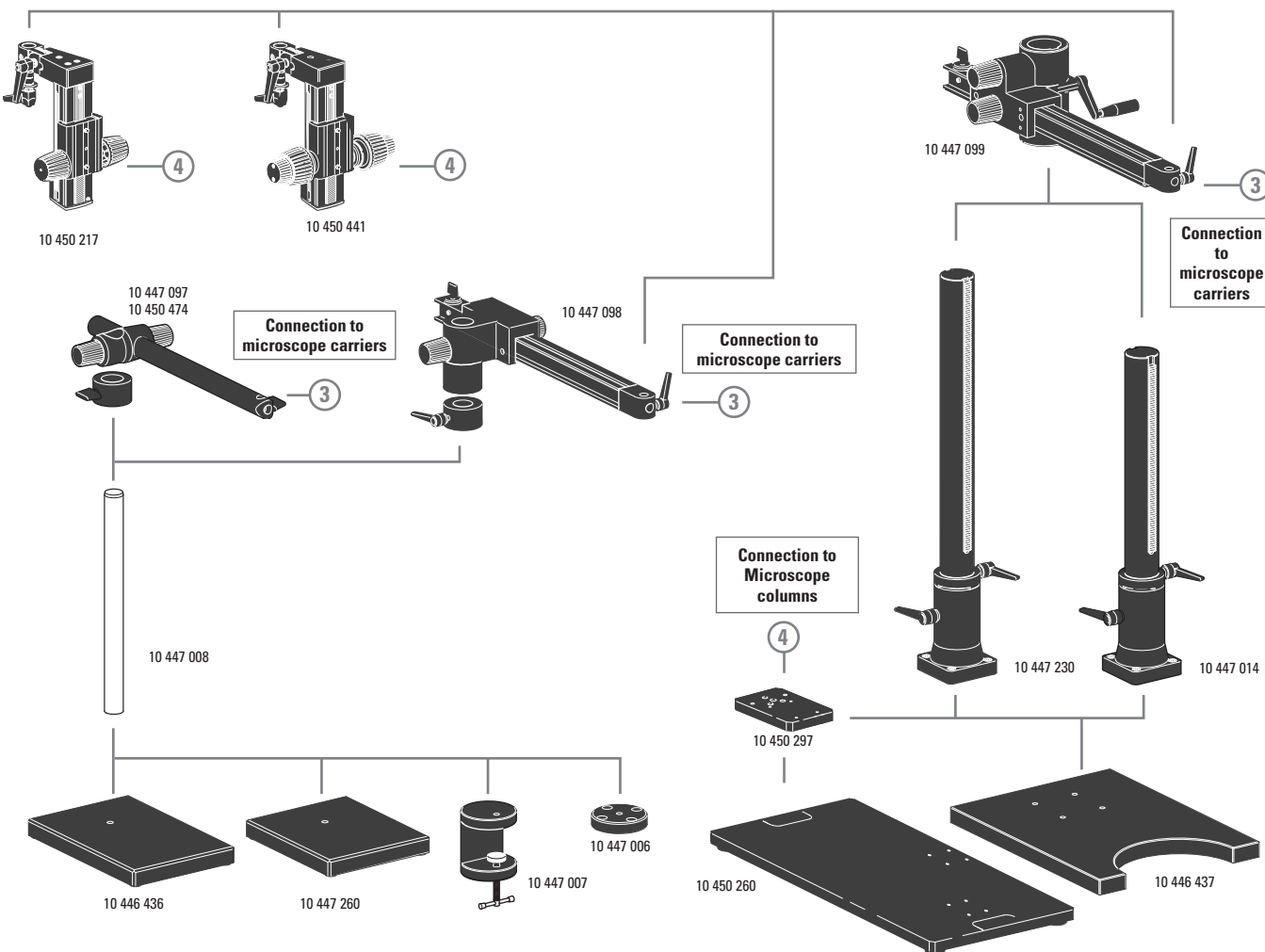
- 10 446 447 Reticle 10 mm/0.1 mm
- 10 446 448 Reticle 5 mm/0.1 mm
- 10 446 449 Reticule 5 mm/0.05 mm
- 10 447 000 Graticule, 100 scale intervals/0.002"
- 10 447 001 Graticule, 100 scale intervals/0.001"
- 10 447 002 Graticule, 150 scale intervals/0.0005"
- 10 446 450 Crosshair graticule
- 10 310 345 Stage micrometer, 50 mm scale with 0.1 mm and 0.01 mm graduation
- 10 447 037 Stage micrometer 1", 0.001" graduation

Flexarm stands

- 10 450 495 Flexarm stand with table clamp
- 13 312 611 Table holder for flexarm stand

Swingarm stands

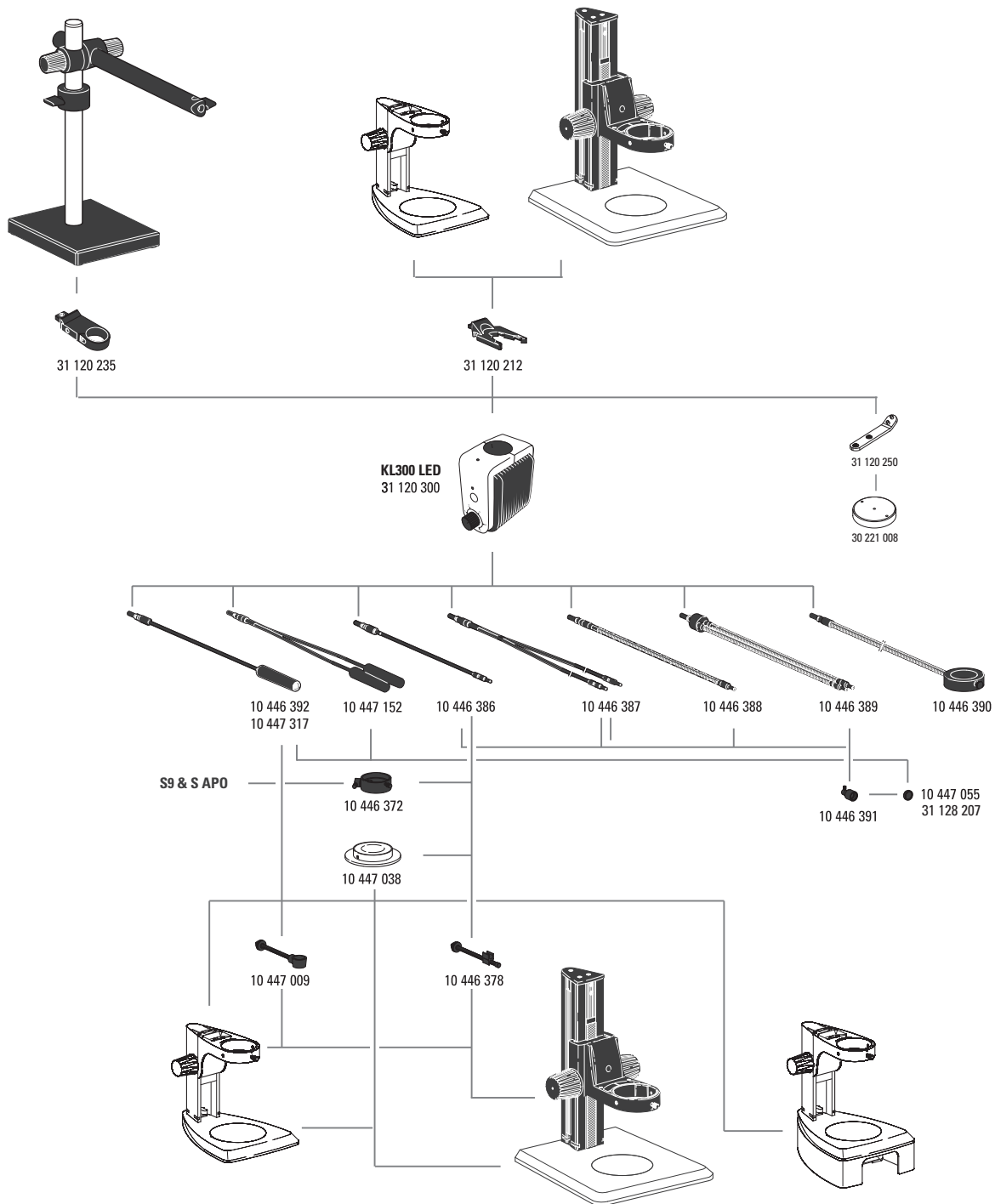
- 10 447 260 Base plate, small
- 10 446 436 Base plate, medium
- 10 447 008 Vertical column 470/35 mm
- 10 447 097 Horizontal arm ESD, 500 mm
- 10 450 474 Horizontal arm ESD, 290 mm
- 10 447 098 Horizontal arm, standard
- 10 447 006 Flange
- 10 447 007 Stage clamp
- 10 446 437 Base plate, large
- 10 447 014 Vertical column 560/57 mm
- 10 447 230 Vertical column 800/57 mm
- 10 447 099 Horizontal arm, large
- 10 450 217 Focusing drive with inclinable column
- 10 450 441 Focusing drive coarse/fine with inclinable column
- 10 450 260 Universal plate XL for specimens up to 300 × 300 mm
- 10 450 297 Adapter for universal plate 10 450 260 for all swingarm columns



Connection to microscope carriers

Connection to microscope carriers

Connection to Microscope columns



ARTICLE DESCRIPTIONS

Leica KL300 LED illumination

- 31 120 300 KL300 LED cold-light LED source with power supply unit
- 31 120 212 KL300 LED adapter for focusing column
- 31 120 235 KL300 LED adapter for swingarm stand
- 31 120 250 KL300 LED, adapter for baseplate 30 221 008
- 30 221 008 Base plate for KL300 LED

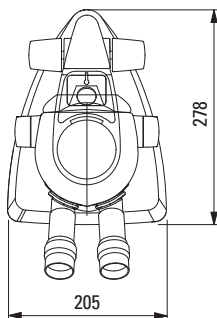
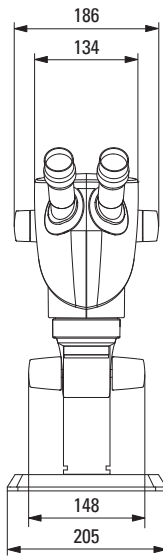
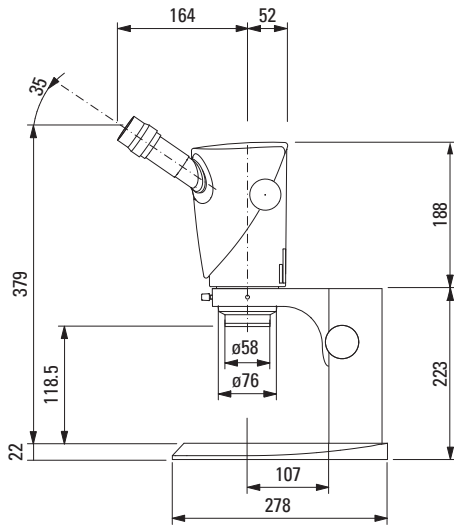
- 10 446 392 Universal light guide, 600 mm
- 10 447 317 Universal light guide, 1 000 mm
- 10 447 152 Universal light guide, 2-arm, 600 mm
- 10 446 386 Flexible light guide, 1-arm, 550 mm
- 10 446 387 Flexible light guide, 2-arm, 750 mm
- 10 446 388 Gooseneck light guide 1-arm, 500 mm
- 10 446 389 Gooseneck light guide 2-arm, 500 mm
- 10 446 390 6-point ring illuminator, internal diameter 58 mm, 750 mm
- 10 447 038 Transmitted light stage
- 10 446 391 Auxiliary focusing lens
- 10 447 055 Daylight filter for auxiliary focus
- 31 128 207 Warm light filter for focus lens
- 10 446 378 Arm for flexible light guide
- 10 447 009 Arm for universal light guide
- 10 446 372 Vertical illumination

Spare parts for Leica L2

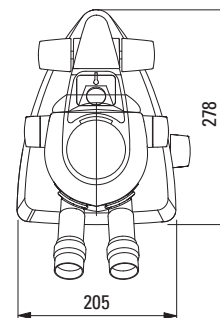
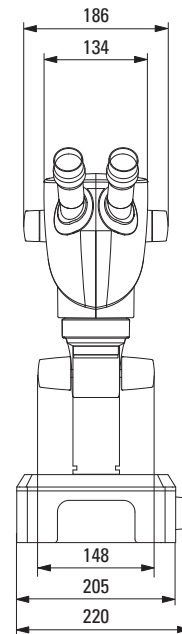
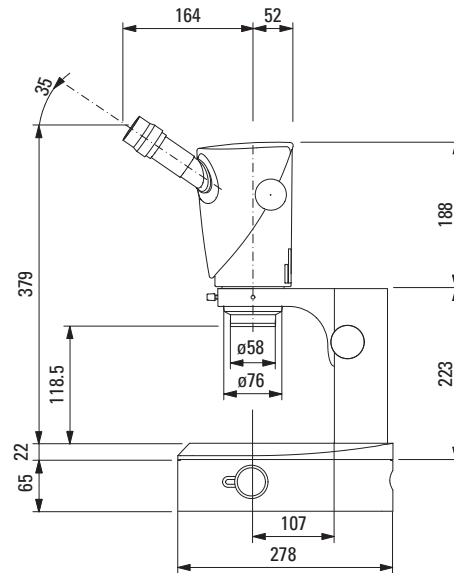
- 10 447 056 Halogen lamp 8 V/20 W, L2
- 10 447 015 Leica L2 transformer, 90 – 250 V (not shown)

DIMENSIONS S9 E

with incident light stand



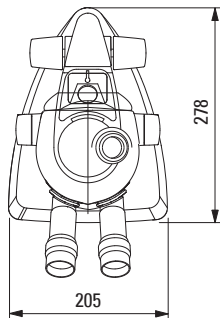
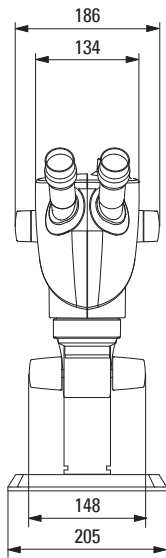
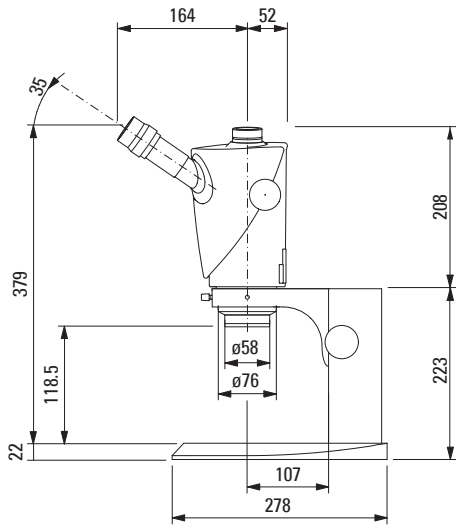
with transmitted light stand



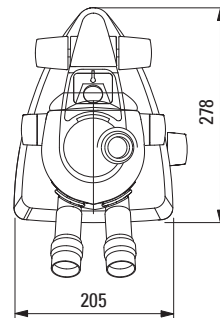
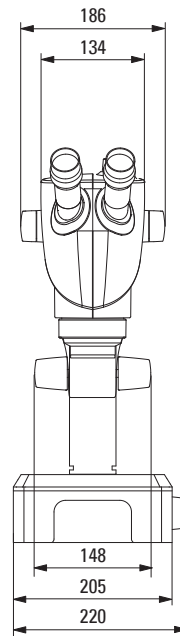
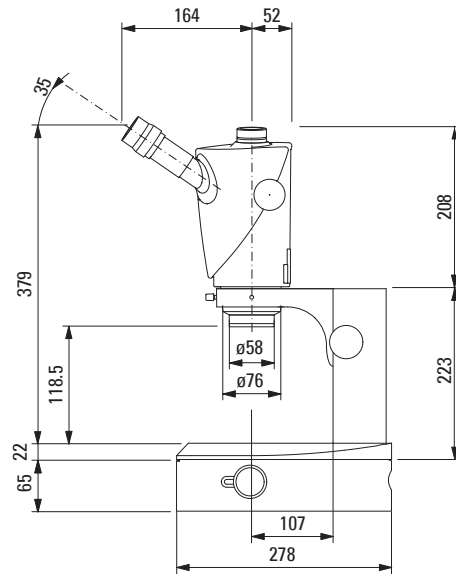
Dimensions in mm

DIMENSIONS S9 D

with incident light stand

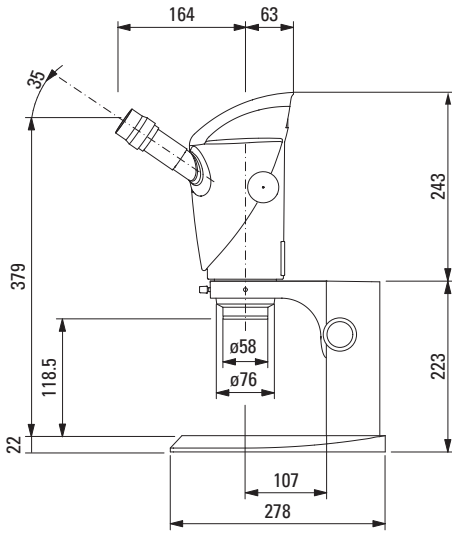


with transmitted light stand

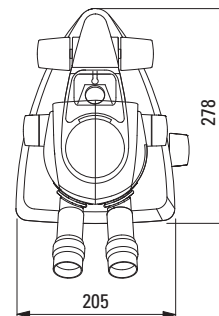
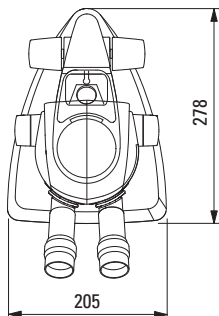
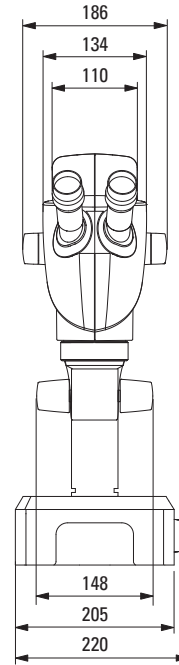
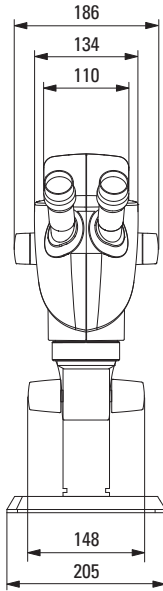
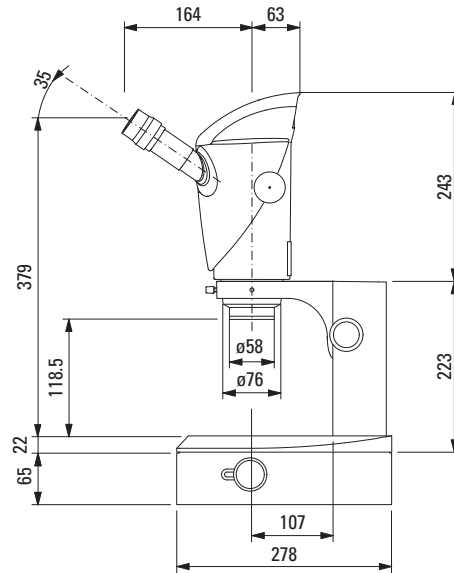


Dimensions in mm

DIMENSIONS S9 i
with incident light stand



with transmitted light stand

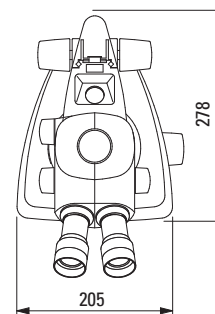
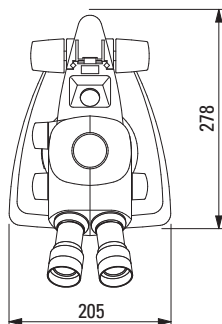
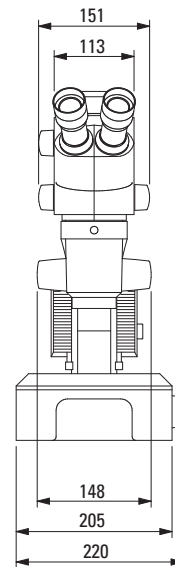
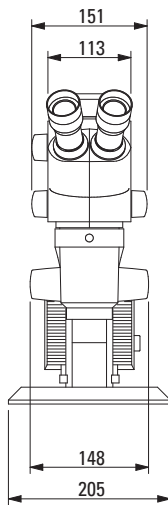
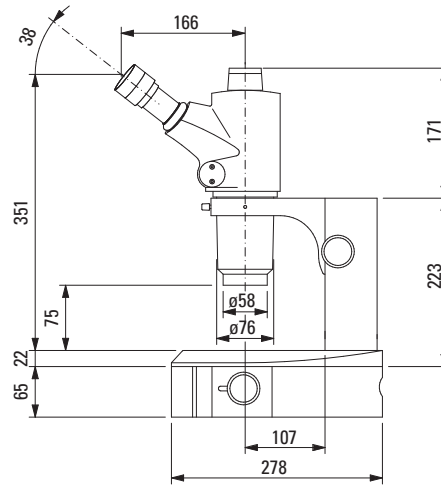
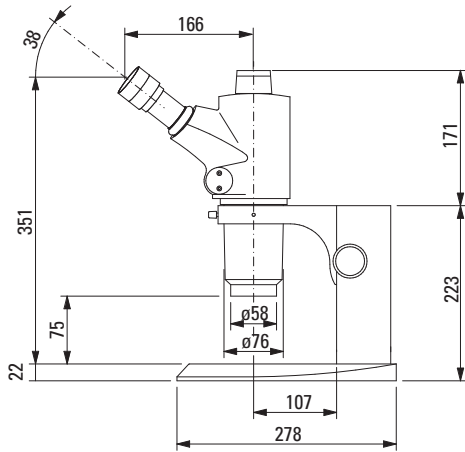


Dimensions in mm

DIMENSIONS S APO

with incident light stand

with transmitted light stand



Dimensions in mm

Leica Microsystems (Schweiz) AG · Max-Schmidheiny-Strasse 201 · 9435 Heerbrugg, Switzerland
T +41 71 726 34 34 · F +41 71 726 34 44

www.leica-microsystems.com

CONNECT
WITH US!

