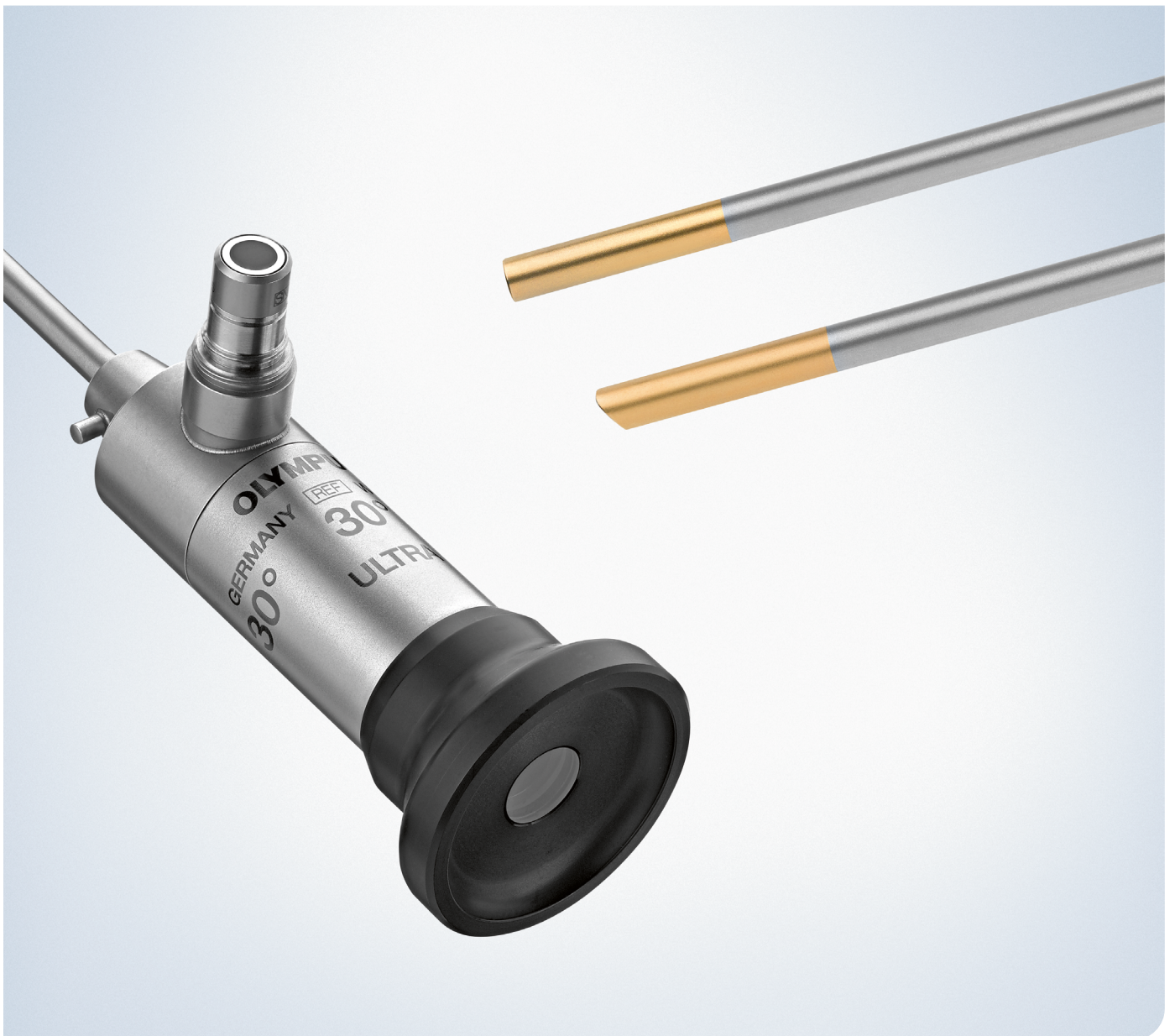


4 mm ULTRA Arthroscopes

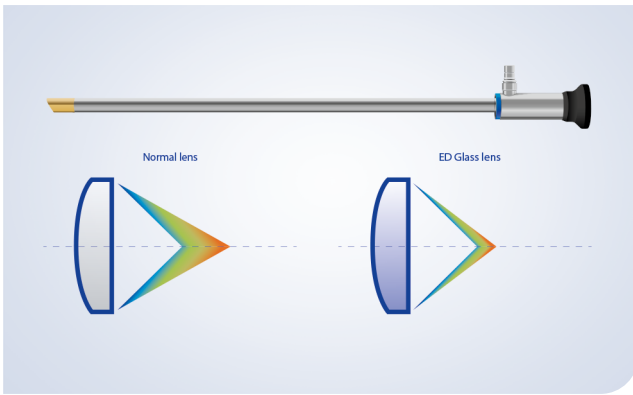
Ultra High Definition



Arthroscopy

ED glass lenses – razor-sharp images

- Optimized for high-resolution imaging
- High contrast at high spatial frequencies

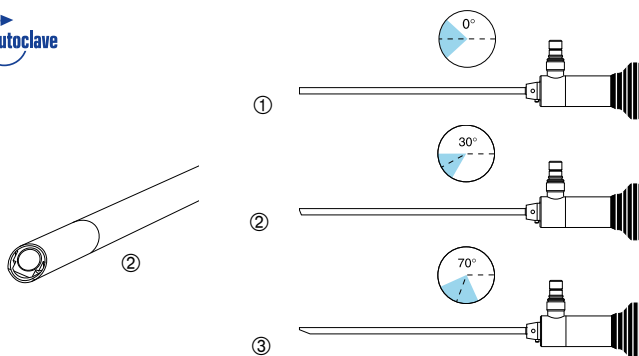


- Wide field of view 115°
- Full autoclavability: Reduced waste due to full reusability of the telescopes
- Compatibility to existing Olympus arthroscopy shafts
- Mechanically compatible to standardized camera heads (Olympus and other manufacturers that comply with DIN58105).
- Mechanical compatibility to current Olympus light-guide cables without adaptor
- Efficacy verified for selected autoclavability and Sterrad procedures

4 mm ULTRA Arthroscopes

Ultra High Definition

ULTRA Arthroscopes

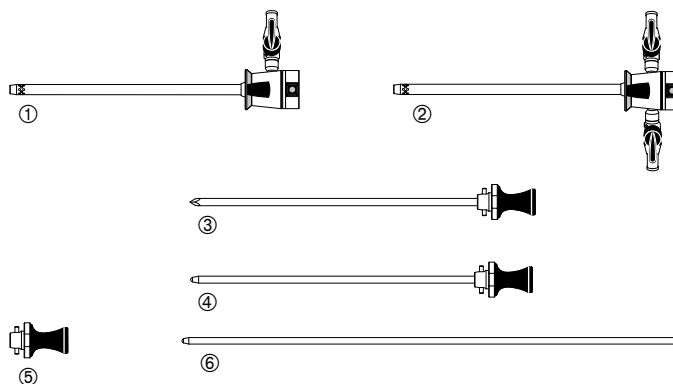


- ① **WA4KA400** ULTRA Telescope, 4 mm, 0°
- ② **WA4KA430** ULTRA Telescope, 4 mm, 30°
- ③ **WA4KA470** ULTRA Telescope, 4 mm, 70°

Technical Data

Working length	
WA4KA400.....	158.3 mm
WA4KA430.....	158.8 mm
WA4KA470.....	161.6 mm
Maximum insertion portion width	
WA4KA400, WA4KA430, WA4KA470.....	4.05 mm
Direction of view	
WA4KA400.....	0°
WA4KA430.....	30°
WA4KA470.....	70°
Field of view	
WA4KA400, WA4KA430, WA4KA470.....	115°
Operation conditions	
Ambient temperature.....	10 – 35 °C
Humidity.....	30 – 85 % rel.
Atmospheric pressure.....	700 – 1060 hPa
Storage conditions	
Temperature.....	10 – 40 °C
Humidity.....	30 – 85 % rel.
Transport conditions	
Temperature.....	-40 – 70 °C
Humidity.....	10 – 95 % rel.

4 mm Trocars and Accessories



- ① **A70950A** Trocar tube, 1 stopcock, rotatable, high-flow
- WA70952A** Trocar tube, 1 stopcock, rotatable, standard flow
- ② **A70951A** Trocar tube, 2 stopcocks, rotatable, high-flow
- WA70951B** Trocar tube, 2 stopcocks, rotatable, high-flow, without holes
- WA70953A** Trocar tube, 2 stopcocks, rotatable, standard flow
- ③ **A70954A** Trocar spike, triangular
- ④ **A70955A** Trocar spike, blunt
- ⑤ **A70959A** Cover, for trocars, for lavage
- ⑥ **A70958A** Guiding rod, 4 mm

4 mm ULTRA Arthroscopes

Ultra High Definition
System Chart

System Chart

