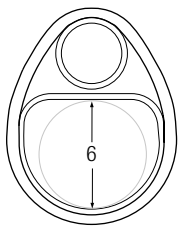
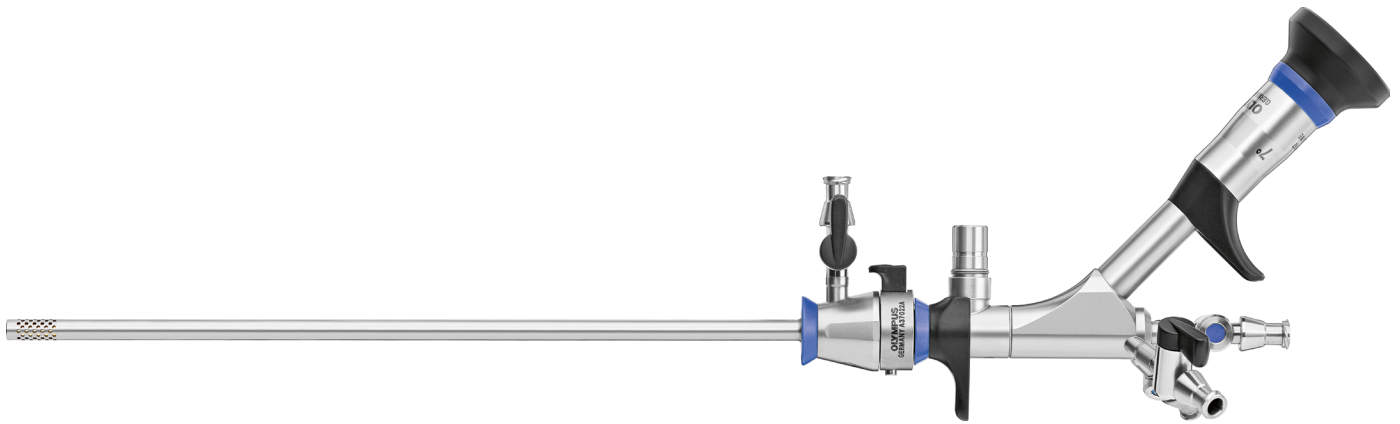


## Mini-Nephroscope



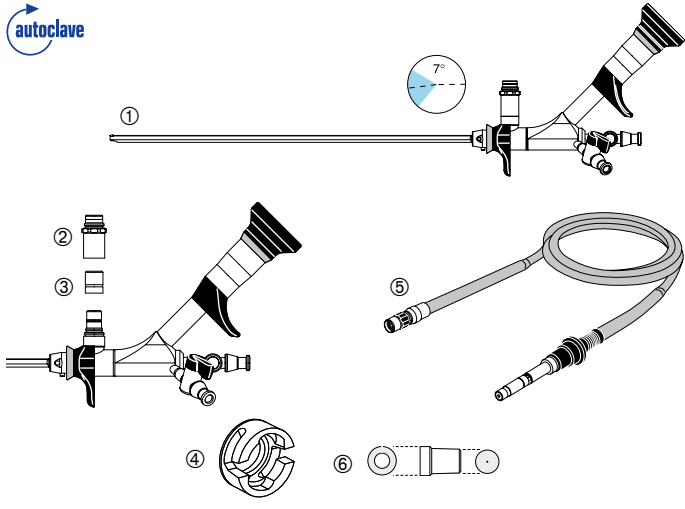
A37025A

Sheath profile

**OES PRO**

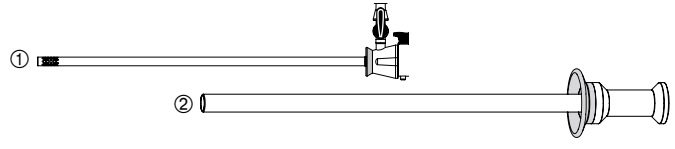
- Single, continuous and open flow configurations available
- 18 Fr. and 20 Fr. sheath that enables a suction effect
- Large 7.5 Fr. oval channel, straight
- Up to 6 Fr. passage
- Pediatric and adult mini-nephroscope
- Stainless steel

**OP Telescope**



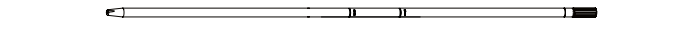
- ① **A37025A** OP telescope, 7°, 11 Fr. x 220 mm, 7.5 Fr. channel, angled ocular *OP telescopes are delivered with instrument tray A05961A.*
  - Up to 6 Fr. passage
- ② **A0460** Light-guide adapter, for OES 4000 light-guide cables
- ③ **00332** Light-guide adapter, for Wolf light-guide cables
- ④ **WA37025B** Adapter, meatus stopper, for A37025A
- ⑤ **WA03300A** Light-guide cable, 2.8 mm, 3 m, CF type
- ⑥ **A0387** Sealing cap, 0.7 mm, black, 10 pcs.
  - Reusable/ non-sterile

**Nephroscope Sheath**



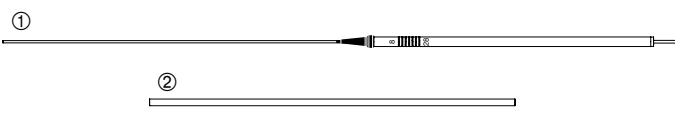
- ① **A37022A** Outer sheath, 15.9 Fr., fixed, includes guiding tube WA37031A
- ② **WA2PS18S** Sheath, 18 Fr., 130 mm
- WA2PS18L** Sheath, 18 Fr., 160 mm
- WA2PS20S** Sheath, 20 Fr., 130 mm
- WA2PS20L** Sheath, 20 Fr., 160 mm

**Mini-PCNL Dilators**



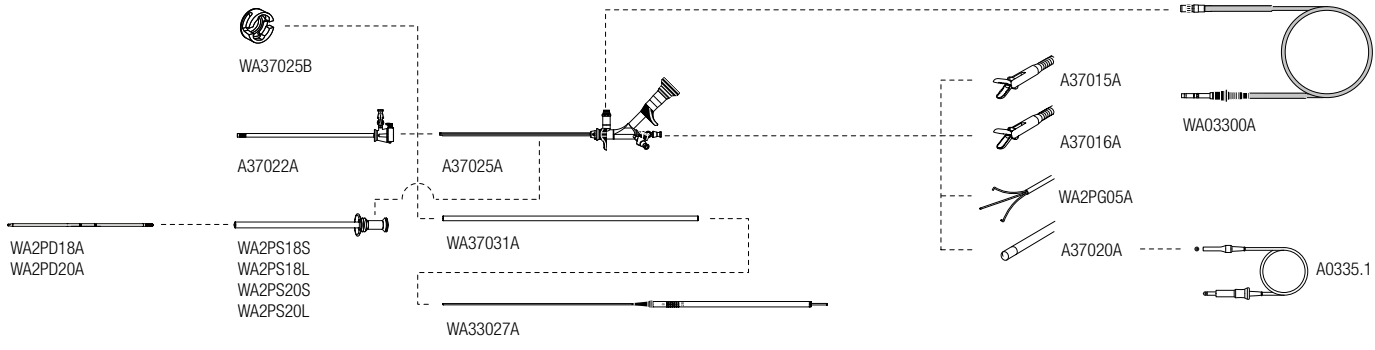
- WA2PD18A** Dilator, 15 Fr., for 18 Fr. sheath, 390 mm
  - single-step, dual lumen
- WA2PD20A** Dilator, 17 Fr., for 20 Fr. sheath, 390 mm
  - single-step, dual lumen

**Bougie Set**



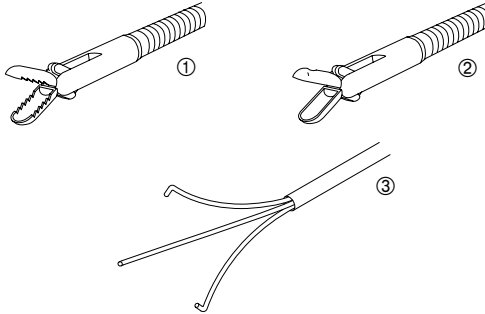
- ① **WA33027A** Bougie tubes, set 9 – 28 Fr.
- ② **WA37031A** Guiding tube, for WA33027A *Adapts bougie tubes WA33027A to nephroscope sheath A37022A.*

**System Chart**



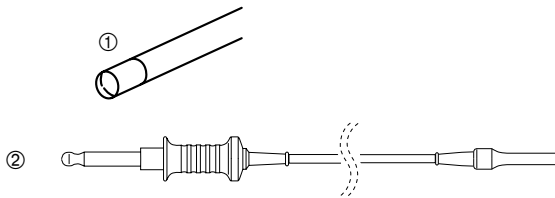
# Mini-Nephroscope (cont.)

## Semi-Flexible Hand Instruments



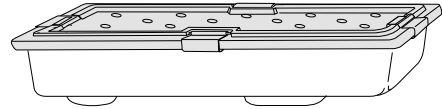
- ① **A37015A** Grasping forceps, 5 Fr. x 340 mm, semi-flexible
- ② **A37016A** Biopsy forceps, 5 Fr. x 340 mm, semi-flexible
- ③ **WA2PG05A** Grasping forceps, three-nail, 5 Fr. x 340 mm

## HF Electrode



- ① **A37020A** HF electrode, button, 3 Fr. x 370 mm, flexible
  - Reusable/ non-sterile
- ② **A0335.1** HF cable, monopolar  
Compatible HF units:
  - ESG-400
  - ESG-410
  - Valleylab (new)

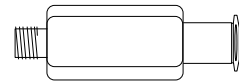
## Instrument Tray



- A05961A** Instrument tray, for OP telescope

📄 For plastic instrument trays, see page 653.

## Cleaning Adapter



- WA0401CA** Cleaning adapter, for hand instruments without Luer-lock connector
  - Compatible to semi-flexible hand instruments