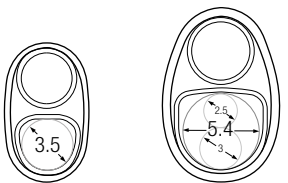


Single-Channel Ureteroscopes

Angled Ocular OES ELITE



WA2UR11A

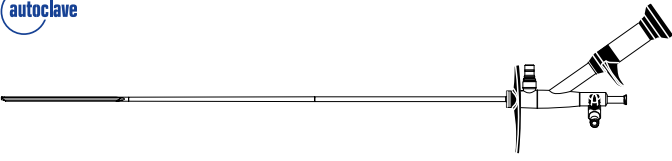
WA2UR14A

Sheath profiles



- HD Compatibility
- Anti-reflection tip design
- Less deformation after bending compared to OES Pro
- Atraumatic tip design

OES ELITE Ureteroscopes

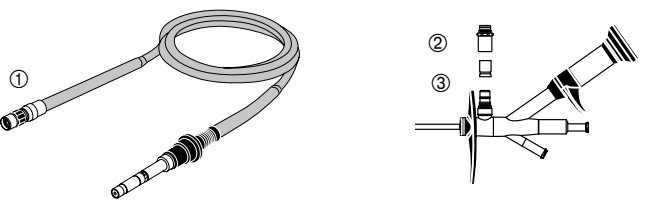


WA2UR11A Ureteroscope, 6.7/8.4 Fr. x 430 mm, 5°, angled ocular, 4.2 Fr. channel
 ■ Passage for instruments up to 3.5 Fr.

WA2UR14A Ureteroscope, 7.3/10.4 Fr. x 430 mm, 5°, angled ocular, 6.4 Fr. channel
 ■ Passage for instruments up to 5.4 Fr.
 ■ Passage for two instruments: 3 Fr. and 2.5 Fr.

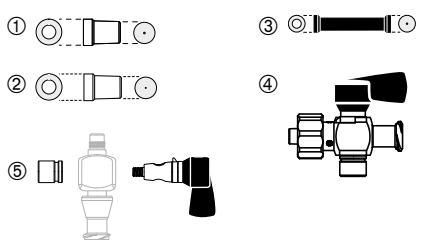
Delivery includes:
 Telescope

Light-Guide Cable and Adapter



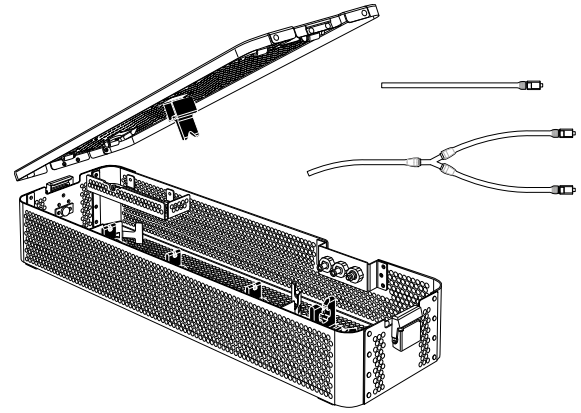
- ① **WA03300A** Light-guide cable, 2.8 mm, 3 m, CF type
- ② **A0460** Light-guide adapter, for OES 4000 light-guide cables
- ③ **O0332** Light-guide adapter, for Wolf light-guide cables

Attachments and Sealing Caps



- ① **WA00387A** Sealing cap, 0.7 mm, transparent, sterile, single use, 10 pcs.
- ② **A0387** Sealing cap, black, 0.7 mm, 10 pcs.
 ■ Reusable/non-sterile
- ③ **A0286** Sealing cap, black, 0.4 mm, kink protection, 6 pcs.
 ■ Reusable/non-sterile
- ④ **WA2URADP** Attachment, for OES ELITE ureteroscopes
- ⑤ **WA47778A** Stopcock accessory
 ■ Reusable/non-sterile

Instrument Tray



- WA2BSKTA** Instrument tray, for semi-rigid ureteroscope, with connection to washer-disinfector
- WA2TUB01** Tubing, with one Luer-lock connector,
 ■ For connection with instrument tray "WA2BSKTA" and washer-disinfector
- WA2TUB02** Tubing, with two Luer-lock connectors
 ■ For connection with instrument tray "WA2BSKTA" and washer-disinfector

Outer dimensions:
 Depth: 171 mm, height: 104 mm, length: 608 mm, weight: 2.6 kg

- 🔗 For system chart, see page 131.
- 🔗 For instrument baskets, see page 657.

Instrument Tray Sets

- WA2BSKT1** Instrument tray, set, WA2BSKTA with WA2TUB01
- WA2BSKT2** Instrument tray, set, WA2BSKTA with WA2TUB02

Content of set is as described in product name

Biopsy Port Seals

- 🔗 For biopsy port seals, see page 163.

Stone Management

- 🔗 For stone management instruments, see page 145.

System Chart

