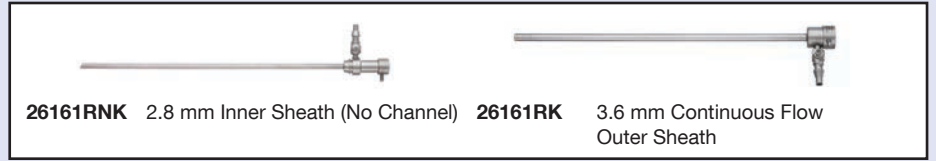
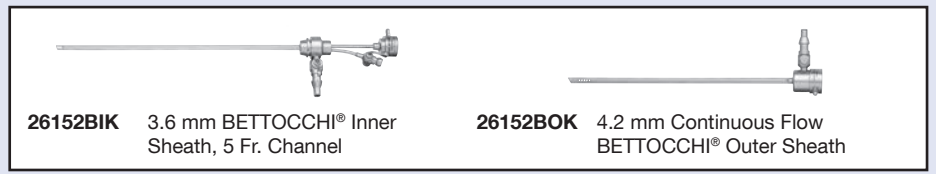
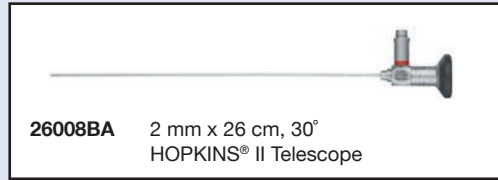
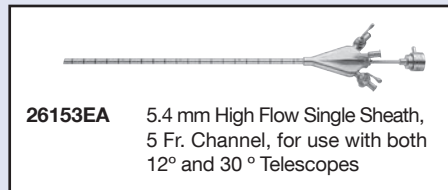


KARL STORZ Rigid Hysteroscopy Systems

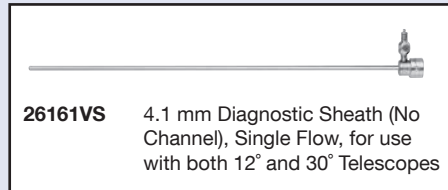
30°



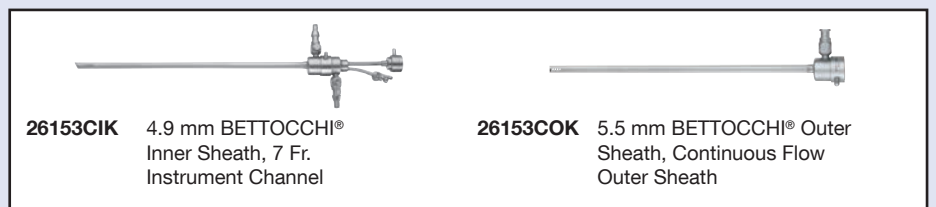
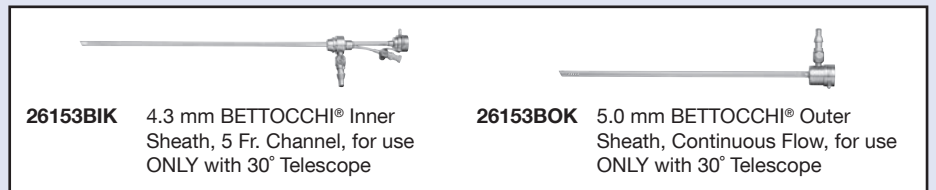
12°



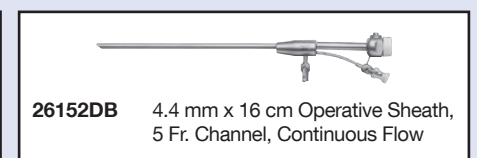
30°



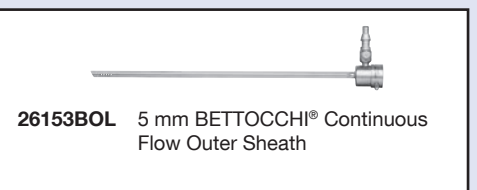
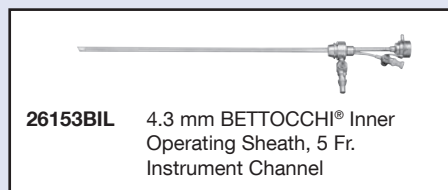
30°



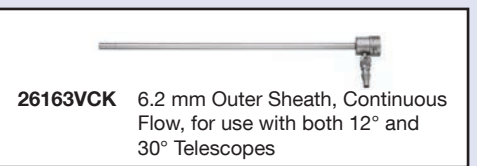
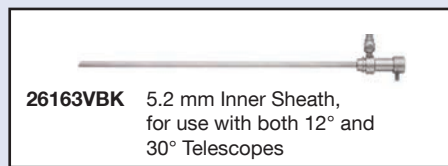
30°



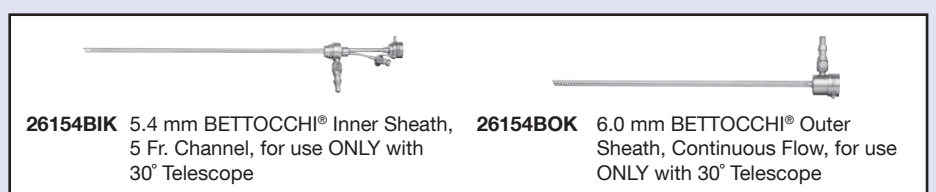
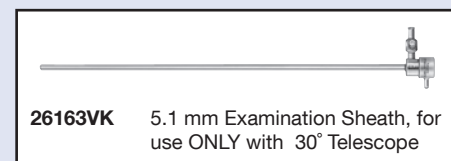
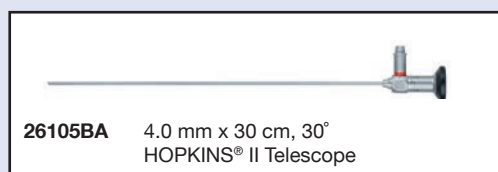
30°




12°



30°



KARL STORZ Flexible Hysteroscope & Hysteroscopy Accessories



11264BBK1 3.5 cm x 240 mm, Flexible Hysteroscope, 0°, Tip Deflection 110° Up/Down, 1.48 mm Channel (Includes: 13242XL Leakage Tester, 11276CI2/1 Long Cleaning Brush, 6927691 Double Stopcock, 26153EAU/1 1.2 mm Self-Sealing Cap, 29100BK Luer-plug w/strap, 495 NA 3.5 mm x 230 cm Light Cable, 11025E Pressure Compensation Cap)



11033KB **Grasping Forceps**, single action jaws, flexible, 3 Fr., length 43 cm




26770AA **Coagulating Electrode**, 3 Fr., length 53 cm




11033KA **Biotomy Forceps**, single action jaws, flexible, 3 Fr., length 43 cm


Hand Instruments (for use with all rigid and semi-rigid systems) and Sealing Caps




26159UHW 5 Fr. x 34 cm Biopsy/Grasping Forceps, Semi-rigid
26160UHW Same, 40 cm Length




26159EHW 5 Fr. x 34 cm Scissors, Blunt, Single Action Semi-rigid
26160EHW Same, 40 cm Length




26159SHW 5 Fr. x 34 cm Scissors, Pointed, Single Action Semi-rigid
26160SHW Same, 40 cm Length




26159DHW 5 Fr. x 34 cm Punch Biopsy Forceps, Single Action Semi-rigid
26160DHW Same, 40 cm Length



26159BHW 5 Fr. x 34 cm Spoon Biopsy Forceps, Double Action Semi-rigid
26160BHW Same, 40 cm Length




26159DS 5 Fr. x 34 cm DI SPIEZIO SARDO Grasping Forceps, Double Action Semi-rigid
26160DS Same, 40 cm Length




26159H 5 Fr. x 34 cm HESSELING Tenaculum Grasping Forceps, Semi-rigid
26160H Same, 40 cm Length




26159HS HESSELING and DI SPIEZIO SARDO Tenaculum Grasping Forceps with Spike, Semi-rigid, Dbl action, 5mm x 34cm
26160HS Same, 40 cm Length




26159M 5 Fr. x 34 cm BETTOCCHI® Myoma Fixation Instrument, Semi-rigid



26159G 5 Fr. x 34 cm BETTOCCHI®/DI SPIEZIO SARDO Palpation Probe, Semi-rigid, scaled



26159BE 5 Fr. x 42 cm Needle Electrode, **BIPOLAR**, Semi-rigid



26158BE 5 Fr. x 42 cm Needle Electrode Angled 90°, **BIPOLAR**, Semi-rigid




26159GC 5 Fr. x 42 cm GORDTS/CAMPO Coagulating Ball Electrode, **BIPOLAR**, Semi-rigid



26770B 5 Fr. x 53 cm Ball Electrode, **UNIPOLAR**, Semi-rigid



26159L 5 Fr. x 34 cm BETTOCCHI® Polypectomy Loop, **UNIPOLAR**, Semi-rigid




26159N 5 Fr. x 34 cm BETTOCCHI® Electrode, **UNIPOLAR**, Semi-rigid
26160N 5 Fr. x 40 cm BETTOCCHI® Electrode, **UNIPOLAR**, Semi-rigid




26153EAU/10 Sealing Caps (10 ea./pkg.)


UNIPOLAR HF Cables




26002M 4 mm Plug, Compatible with KARL STORZ, Erbe type T, Ellman Generators



26004M 4 mm plug for Berchtold, and Martin HF generators




26005M 5 mm for KARL STORZ AUTOCON II 400 – NEW Design (5 mm receptacle) and Erbe Type



26006M 8 mm Plug, Compatible with UH 400U, Medtronic Covidien/Valleylab Type Generators, Length 300 cm



600X 8 mm electro-surgical adaptor.



277KB 8 mm Plug, Length 300 cm
277KB-D/10 8 mm Plug, 10/Box, Single-use, Sterile


BIPOLAR HF Cables




26176LE For KARL STORZ AUTOCON II 400 and Erbe Type ICC Generators



26176LM For Berchtold and Martin Generators



26176LV For use with KARL STORZ 5 Fr. bipolar electrodes. For Medtronic/Covidien/Valleylab and Conmed generators.



UH801 Bipolar HF Cord for use with KARL STORZ UH 400U, 400 cm



27176LEB For AUTOCON II 400, Erbe Type ICC Generators

For more information, contact your KARL STORZ representative or contact Customer Service at (800) 421-0837.

www.karlstorz.com

STORZ
KARL STORZ—ENDOSKOPE