

*Treat yourself  
to progress*

## New *E-line* Uretero-Renoscopes from R. WOLF

- Even less traumatic
- Higher image resolution
- Even brighter, even larger and even more brilliant image
- Smaller outer diameter
- Maximum stability
- Even longer working life
- Optimum handling
- Stainless steel for particularly light weight
- Automatic seal on working channel

# New *E-line*

## Uretero-Renoscopes from R. WOLF

**Our aim was to make the best even better.  
We think we succeeded.**

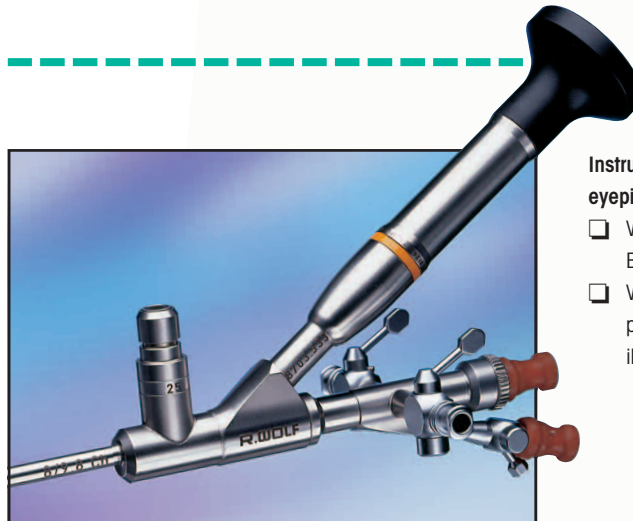
To meet the ever more exacting demands of the market, we have improved the design, the quality and the user-friendliness of our new uretero-renoscopes.

The most striking and immediately obvious difference is the more slender design and the use of highest-quality and light materials. The instrument port at the proximal end of the working channel for rigid instruments has been replaced by an automatic fast-action valve.

The sheath now has a profiled distal tip over twice the previous length, a generally more slender, stepless profile as well as a smaller outer diameter.

Hidden within, there is nevertheless a far larger image guide with up to 50,000 pixels.

**See for yourself and treat yourself to progress!**



### Instruments with different eyepiece variants

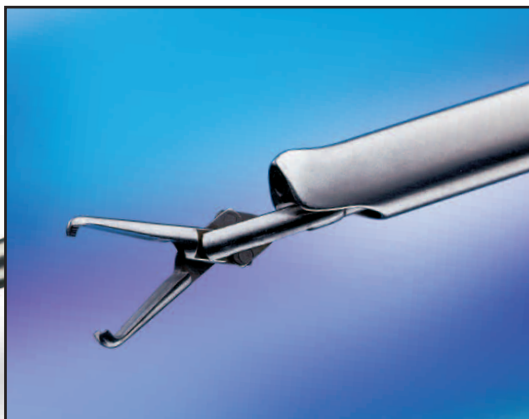
- With lateral eyepiece (by Bichler, illustrated left)
- With laterally offset eyepiece (by Marberger, large illustration)

### Even less traumatic due to:

- Profiling of the distal tip over twice the length
- Absolutely atraumatic head shape
- More slender profile
- Smaller outer diameter
- Stepless sheath

### Resulting in:

- Easier introduction into the ureteric orifice
- Very gentle, safe, stepless dilatation of the ureter



### Large selection of auxiliary instruments:

- Despite the extended working length, all conventional auxiliary instruments from the Wolf range can be used
- Instruments with a straight working channel are particularly suitable for the application of ultrasound sonotrodes and Lithoclast probes

**Improved handling due to:**

- Lighter weight by using stainless steel allowing thinner walls
- Extended working lengths of 430 mm and 310 mm
- New Lithoclast guide
- Adaptable handle (can be used for all types)

**Faster and simpler working:**

- With the automatic valve for introducing instruments into the instrument channel
- No irritating opening and closing of the instrument port
- No water fountains when exchanging auxiliary instruments





**Longer working life:**

- New production methods slow down wear and tear and aging
- Greater stability due to new materials
- No coated or plated parts
- Naturally autoclavable and suitable for processing with all normal methods



**Simpler lithotripsy possible in the ureter:**

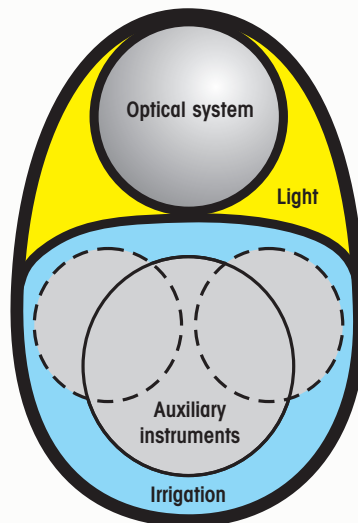
- Due to straight working channels for introducing rigid lithotripsy probes
- Adapter for handles
- Automatic introduction valve
- Optimum view through oval irrigation channels and angles of view from 5° to 12°

**Large irrigation and instrument channel:**

- Option of inserting up to two auxiliary instruments with adequate irrigation
- Depending on type up to 6 Fr.

**Resulting in:**

- Optimum view even when using two auxiliary instruments at the same time



**Improved optical system:**

- New, high-resolution image guide
- Up to 67% more pixels (single images)
- Absolutely realistic reproduction of the operating site
- No half-moon effect
- Higher resolution
- Larger, brighter image
- Optimum depth of focus

## Current Accessories and Devices



### Ultrasound lithotripter 2271 in conjunction with suction pump 2270

- With the high efficiency of the transducer, little heat is generated at high output power
- Transducer including connecting cable and connector fully immersible, autoclavable and suitable for steris
- Three preselectable levels of ultrasound output power
- Sonotrodes can even be introduced through uretero-renaloscopes with working channel of 4 Fr. or higher
- The smooth operation of the pump motor and the transducer reduce noise in the operating room



### Uro pump 2224

- Pressure-controlled dilatation of the ureter and the upper urinary tract
- Continuous flow from 150 to 500 ml/min
- Non-contact pressure measurement in the organ
- Function for "instrument recognition"

### Ultrasound lithotripter 2271

Comprising:

Power cable (2440.03), suction tube, Ø 5.0 mm, length 2.0 m (64221.093), ear protectors (2167.951), footswitch (2030.12), spanner (74003.009), cleaning rod for transducer and sonotrodes Ø 3.5 - 4.0 mm (2167.508), cleaning rod for sonotrodes, Ø 1.5 - 2.4 mm (2167.509) .....2271.001  
also:  
Transducer .....2271.501

Other versions and voltages on request.

also

#### Ultrasound Sonotrode,

straight, exchangeable,  
WL 580 mm, Ø 1.5 mm .....8954.515  
Ø 1.9 mm .....8954.519

WL 440 mm, Ø 1.5 mm .....8959.515  
Ø 1.9 mm .....8959.519

#### Guide for Lithoclast handle

for simple, fast and safe mounting over the attachments of the inlet and outlet taps .....8702.251

#### Handle guide for ultrasound transducer

for ultrasound transducer 2271.501 and ultrasound sonotrodes up to Ø 1.9 mm max. ....8702.271

### Uro pump 2224

Comprising:

Power cable (2440.03), tube set of silicone (reusable) (8170.223) .....2224.001

Weitere Versionen und Spannungen auf Anfrage.

### Suction pump 2270

Comprising:

Power cable (2440.03), secretion collecting glass (4172.501), bottle holder for secretion collecting glass (2232.841), swivel seal with connectors (2207.976), flow sensor (2207.966), flow sensor cable (2207.961), negative pressure measuring tube (8170.411), hygiene filter, sterile (pack of 10) (4171.112), pump tube cpl. (8170.121), connecting cable to ultrasound lithotripter 2271 (2207.991), spare pump tube (pack of 5) (64226.014) .....2270.001

Other versions and voltages on request



### Decontamination:

#### RIWO System Tray, complete

for short uretero-renaloscopes .....38201.583  
for long uretero-renaloscopes .....38201.783



#### Processing basket (for uretero-renaloscopes), complete

.....38045.111

# New *E-line* Uretero-Renoscopes from R. WOLF

and accessories



**Compact operating fibre uretero-renaloscope,** autoclavable, 6/7.5 Fr., by Marberger, with laterally offset eyepiece, distal sheath tip 6 Fr., angle of view 5°, with oval irrigation and instrument channel for 4 Fr. or 2 x 2.4 Fr. auxiliary instruments, including automatic valve for introducing instruments,

WL = 315 mm .....8702.523  
WL = 430 mm .....8702.524

**Compact operating fibre uretero-renaloscope,** autoclavable, 6/7.5 Fr., by Bichler, with lateral eyepiece, distal sheath tip 6 Fr., angle of view 5°, with oval irrigation and instrument channel for 4 Fr. or 2 x 2.4 Fr. auxiliary instruments, including automatic valve for introducing instruments,

WL = 315 mm .....8702.533  
WL = 430 mm .....8702.534

**Compact operating fibre uretero-renaloscope,** autoclavable, 6/7.5 Fr., with direct view eyepiece, distal sheath tip 6 Fr., angle of view 5°, with oval irrigation and instrument channel for 4 Fr. or 2 x 2.2 Fr. auxiliary instruments, including automatic valve for introducing instruments,

NL = 315 mm .....8702.513  
NL = 430 mm .....8702.514

**Compact operating fibre uretero-renaloscope,** autoclavable, 8/9.8 Fr., by Marberger, with laterally offset eyepiece, distal sheath tip 8 Fr., angle of view 12°, with oval irrigation and instrument channel for 5 Fr. or 2 x 3 Fr. auxiliary instruments, including automatic valve for introducing instruments,

WL = 315 mm .....8703.523  
WL = 430 mm .....8703.524

**Compact operating fibre uretero-renaloscope,** autoclavable, 8/9.8 Fr., by Bichler, with lateral eyepiece, distal sheath tip 8 Fr., angle of view 12°, with oval irrigation and instrument channel for 5 Fr. or 2 x 3 Fr. auxiliary instruments, including automatic valve for introducing instruments,

WL = 315 mm .....8703.533  
WL = 430 mm .....8703.534

**Compact operating fibre uretero-renaloscope,** autoclavable, 8/9.8 Fr., with direct view eyepiece, distal sheath tip 8 Fr., angle of view 12°, with oval irrigation and instrument channel for 5 Fr. or 2 x 3 Fr. auxiliary instruments, including automatic valve for introducing instruments,

NL = 315 mm .....8703.513  
NL = 430 mm .....8703.514

**Compact operating fibre uretero-renaloscope,** autoclavable, 8.5/11.5 Fr., by Marberger, with laterally offset eyepiece, distal sheath tip 8.5 Fr., angle of view 12°, with oval irrigation and instrument channel for 6 Fr. or 2 x 4 Fr. auxiliary instruments, including automatic valve for introducing instruments,

WL = 315 mm .....8704.523  
WL = 430 mm .....8704.524

## Accessories:

### Handle

for simple, fast and safe mounting on all new uretero-renaloscopes .....8702.261

**RICHARD WOLF GmbH · 75434 Knittlingen · PF 1164 · Phone +49 70 43 35-0 · Fax +49 70 43 3 53 00 · GERMANY · info@richard-wolf.com · www.richard-wolf.com**

**AUSTRIA:**  
RICHARD WOLF Austria  
Ges.m.b.H.  
Wilhelminenstraße 93 a  
A-1160 Wien  
Tel.: 01-405 62 19  
Fax: 01-405 51 51 45  
info@richard-wolf.at

**BELGIUM:**  
N.V. Endoscopie  
RICHARD WOLF Belgium S.A.  
Industriezone Drongen, Landegemstraat 6  
B-9031 Gent-Drongen  
Tel.: 09.280.81.00  
Fax: 09.282.92.16  
endoscopy@richard-wolf.be

**FRANCE:**  
RICHARD WOLF France S.A.R.L.  
Rue Daniel Berger  
Z.A.C. La Neuville  
F-51100 Reims  
Tél.: 03.26.87.02.89  
Fax: 03.26.87.60.33  
endoscopes@richardwolf.fr

**UK:**  
RICHARD WOLF UK Ltd  
Waterside Way  
Wimbledon  
SW17 0HB  
Tel.: 020 8944 7447  
Fax: 020 8944 1311  
admin@richardwolf.uk.com

**USA:**  
RICHARD WOLF  
Medical Instruments Corp.  
353 Corporate Woods Parkway  
Vernon Hills, Illinois 60061  
Tel.: 847-913 1113  
Fax: 847-913 1488  
sales&marketing@richardwolfusa.com